



## Precision power control/sensing

### FEATURES:

- Solid Core
- Fixed Threshold or Field adjustable models
- Adjustable setpoint (CS200A-LED) potentiometer
- Up to 200 amps input current
- Self-powered
- Add-on Command relay option



## Precision power control/sensing

### FEATURES:

- Split-Core
- Fixed Threshold or field adjustable models
- Setpoint adjustment potentiometer (SCS200A-LED)
- Up to 200 amps input current
- Self-powered
- Add-on Command relay option

MANUFACTURED BY AN ISO 9001 REGISTERED QUALITY SYSTEM KELE INC. PARTNER

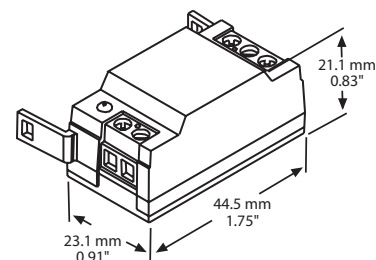
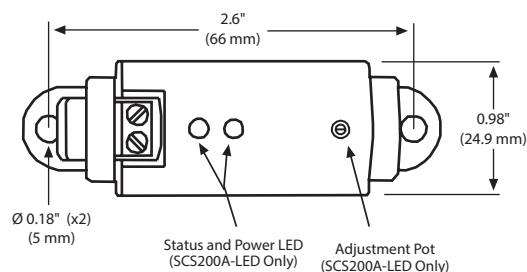
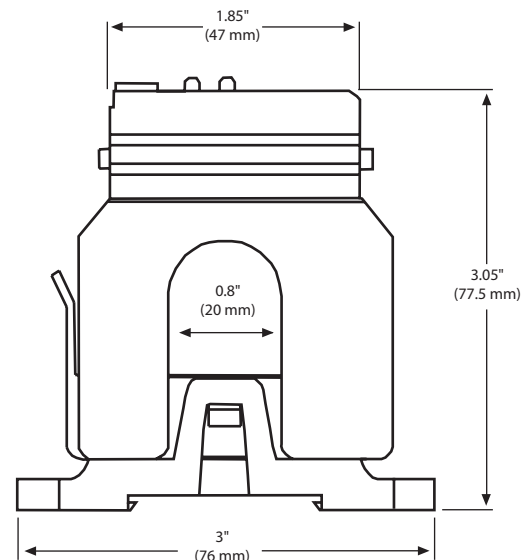
## DESCRIPTION:

The SCS Series split-core current switch monitors line current for electrical loads such as pumps, conveyors, lighting, heaters or fans and closes the output contacts when the trip point is exceeded. The SCS2A has a factory set trip point of 2 Amps to provide Fixed Threshold status operation. The SCS200A-LED has a trip setpoint that is adjustable between 2 to 200 Amps by rotating the adjustment potentiometer.

The sensor requires no external power as it is totally powered by induction from the AC line being monitored. The switch output is normally open and when the input current exceeds the trip setpoint the switch closes to provide an on/off digital signal to the controller

## SPECIFICATION:

Current Setpoint:.....	Fixed at 2 Amps (SCS2A) 2 to 200 Amps (SCS200A-LED) 200
Maximum Input Current:.....	Amps continuous
Sensor Power:.....	Self-powered
Output Type:.....	Solid-state mosfet
Output Switch Action:.....	Normally open
Output Switch Ratings:.....	30 VAC/VDC, 500 mA Max.
Indication:.....	Power and Status LED (SCS200A-LED Only)
Von @ 24 VDC at 150mA:.....	< 50 mV
Frequency:.....	50-100 Hz
Response Time:.....	200 mS Typical
Insulation Class:.....	600 VAC, insulated conductors
Operating Temperature:.....	5° to 122°F (-15° to 50°C)
Operating Humidity:.....	5 to 90% RH non-condensing
Terminal Block:.....	14 to 22 AWG
Dimensions:.....	3.05 x 3 x 0.98 in (77.5 x 76 x 24.9 mm)
Sensor Aperture:.....	0.8" (20.3 mm)
Enclosure Material:.....	ABS/PC, UL94 V-0
Agency Approvals:.....	cULus Listed



## ORDER INFORMATION:

<b>SCS2A</b>	Fixed Threshold
<b>SCS200A-LED</b>	Adjustable

## ACCESSORIES: CSR Series Command Relays

(See CSR brochure for complete specifications)  
(Order Separately)

<b>CSR-12VDC</b>	12 VAC/VDC
<b>CSR-24VAC</b>	24 VAC/VDC



Kele Inc.  
3300 Brother Boulevard  
Bartlett, TN 38133  
info@kele.com  
kele.com

USA: 888-397-5353  
FAX: 800-284-5353  
International: 901-382-6084  
International FAX: 901-388-1697



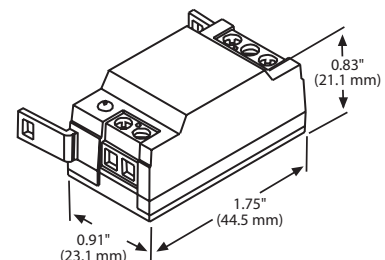
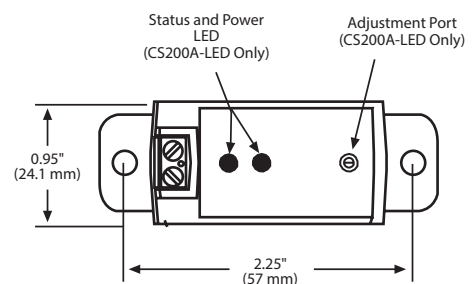
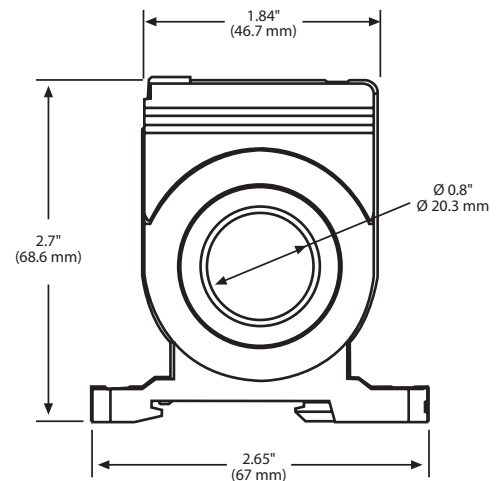
## DESCRIPTION:

The CS series solid-core current switch monitors line current for electrical loads such as pumps, conveyors, lighting, heating or fan and closes the output contacts when the trip point is exceeded. The CS0.75A has a factory set trip point of 0.75 Amps to provide Fixed Threshold status operation. The CS200A-LED has trip setpoint that is adjustable between 1 to 200 Amps by rotating the adjustment potentiometer.

The sensor requires no external power as it is totally powered by induction of the AC line being monitored. The switch output is normally open and when the input current exceeds the trip setpoint, the switch closes to provide an on/off digital signal to the controller.

## SPECIFICATION:

Current Setpoint:.....	Fixed at 0.75 Amps (CS0.75A) 1 to 200 Amps (CS200A-LED)
Maximum Input Current:.....	200 Amps continuous
Sensor Power:.....	Self-powered
Output Type:.....	Solid-state mosfet
Output Switch Action:.....	Normally open
Outout Switch Ratings:.....	30 VAC/VDC, 500 mA Max.
Indication:.....	Power and Status LED (CS200A-LED Only)
Von @ 24 VDC to 500mA:.....	< 50 mV
Frequency:.....	40-100 Hz
Response Time:.....	200 mS Typical
Insulation Class:.....	600 VAC, insulated conductors
Operating Temperature:.....	5° to 140°F (-15° to 60°C) - (CS0.75A) 5° to 122°F (-15° to 50°C) - (CS200A-LED)
Operating Humidity:.....	5 to 90% RT non-condensing
Terminal Bolck:.....	14 to 22 AWG
Dimensions:.....	2.7 x 2.65 x 0.95 in (68.6 x 67 x 24.9 mm)
Sensor Aperture:.....	0.8 in (20.3 mm)
Enclosure Material:.....	ABS/PC, UL94 V-0
Agency Approvals:.....	cULus listed



## ORDER INFORMATION:

<b>CS0.75A</b>	Fixed Threshold
<b>CS200A-LED</b>	Adjustable

## ACCESSORIES: CSR Series Command Relay

(See CSR brochure for complete specifications)  
(Order separately)

<b>CSR-12VDC</b>	12 VDC
<b>CSR-24VAC</b>	24 VAC/VDC



Kele Inc.  
3300 Brother Boulevard  
Bartlett, TN 38133  
info@kele.com  
kele.com

USA: 888-397-5353  
FAX: 800-284-5353  
International: 901-382-6084  
International FAX: 901-388-1697

